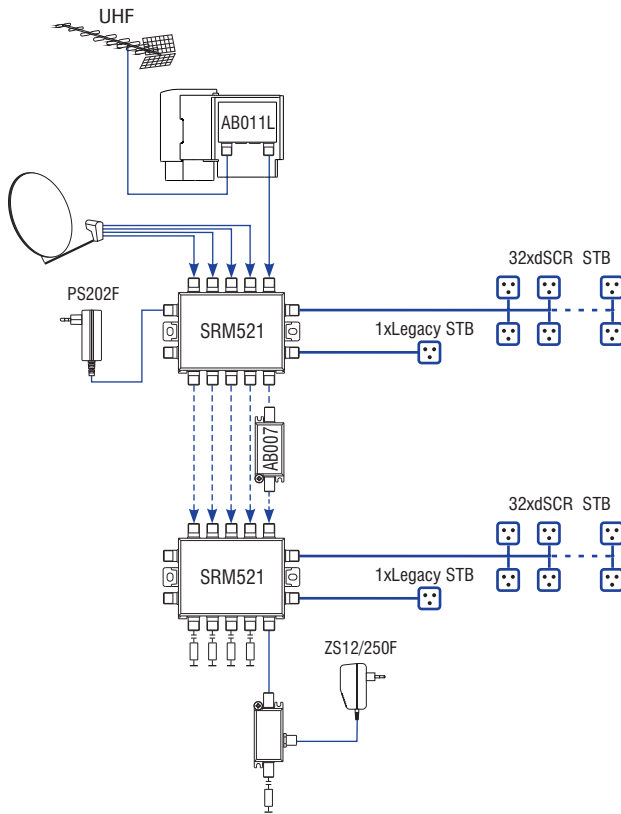




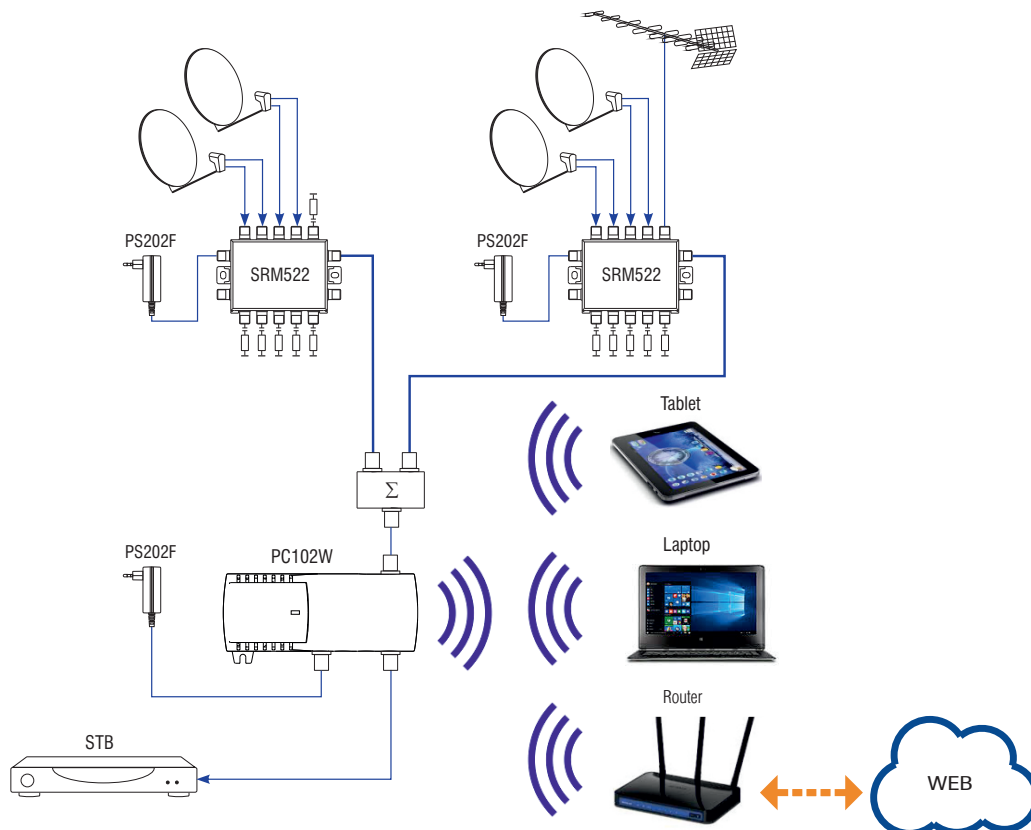
5 cable dSCR system Application diagrams

Floor by floor installation.



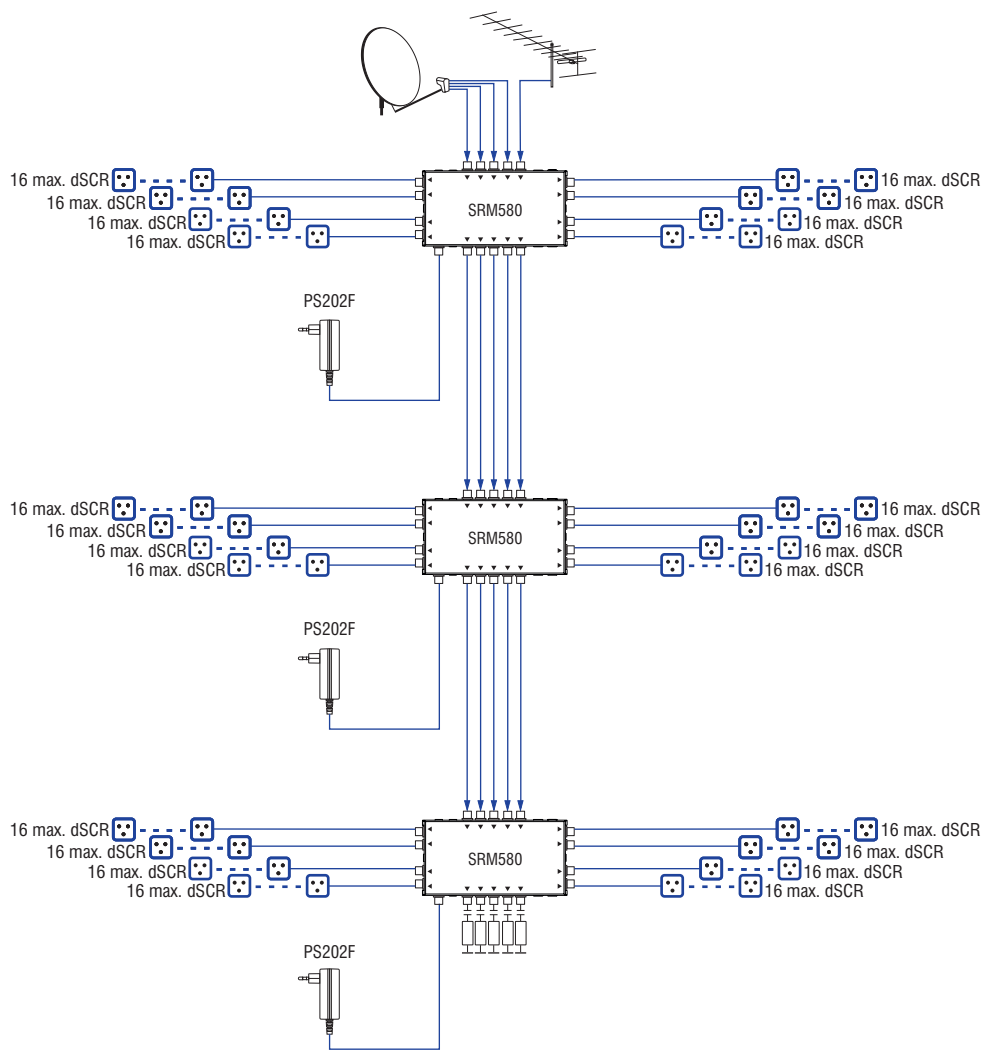
- AB011L - UHF masthead amplifier
- SRM521 - cascadable single cable multiswitch
- SRM522 - cascadable single cable multiswitch
- AB007 - line amplifier
- PC102W - multiswitch programmer
- PS202F - power supply
- ZS12/250F - power supply

Programming and configuration mode.



5 cable dSCR system Application diagram

Installation example of SAT IF & DTT signal distribution to dSCR STBs.
Every multiswitch powered from dedicated power supply.



SRM580 - cascadable single cable dSCR multiswitch
PS202F - power supply